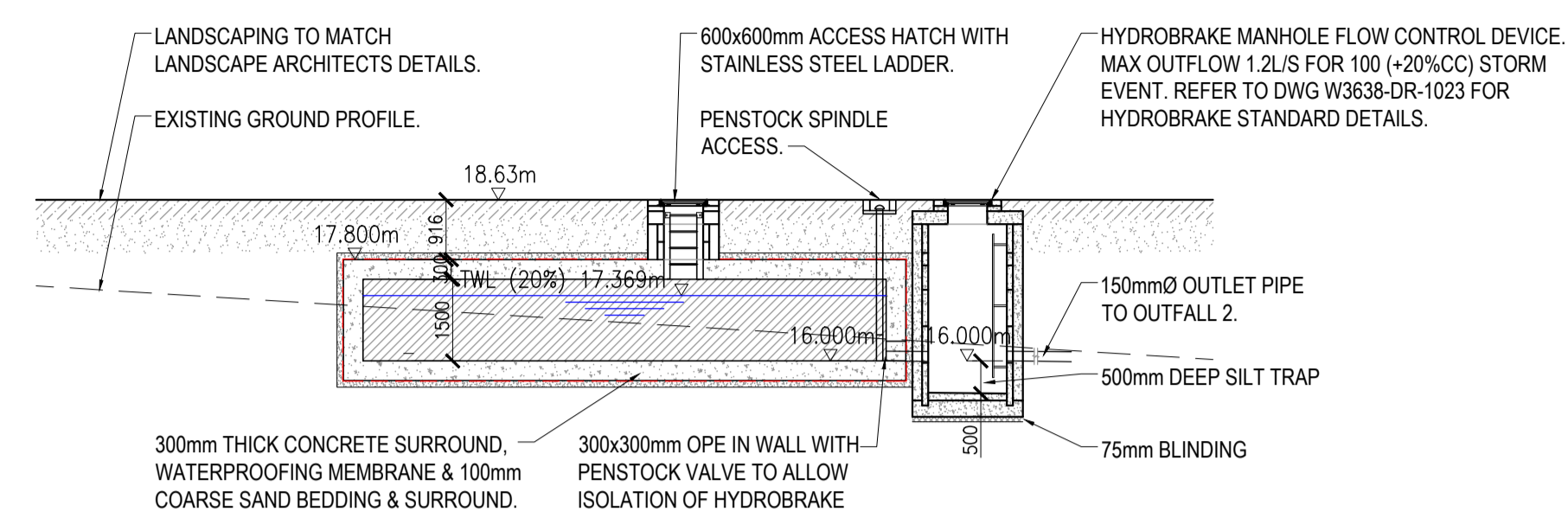


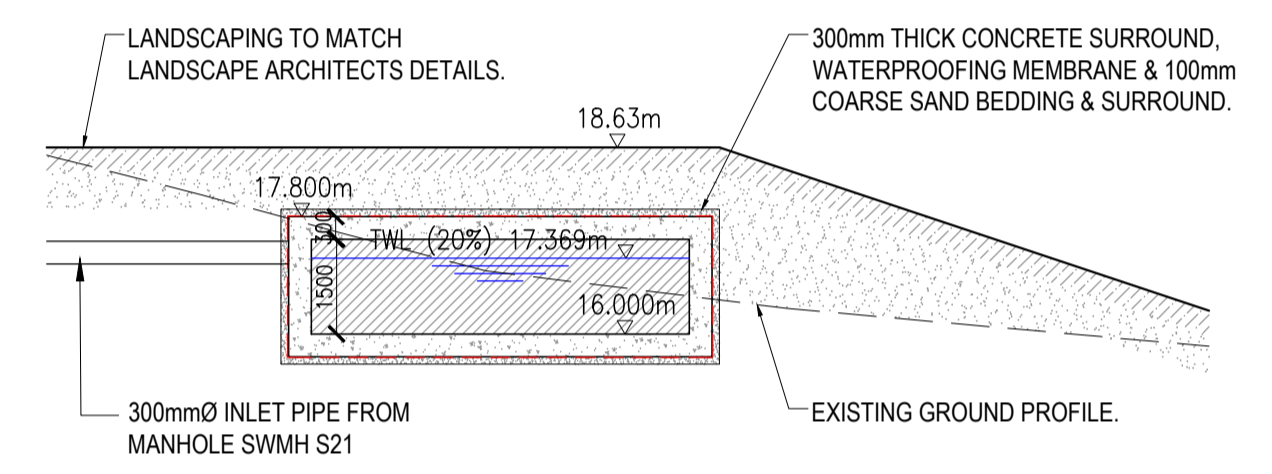
KEYPLAN

- NOTES:**
1. REFER TO DRAWING W3683-DR-1014 FOR STORM WATER DETAILS.
 2. REFER TO DRAWING W3683-DR-1023 FOR HYDROBRAKE STANDARD DETAILS.
 3. ALL MANHOLE & ACCESS CHAMBERS TO COMPLY WITH IRISH WATER CODES OF PRACTICE.

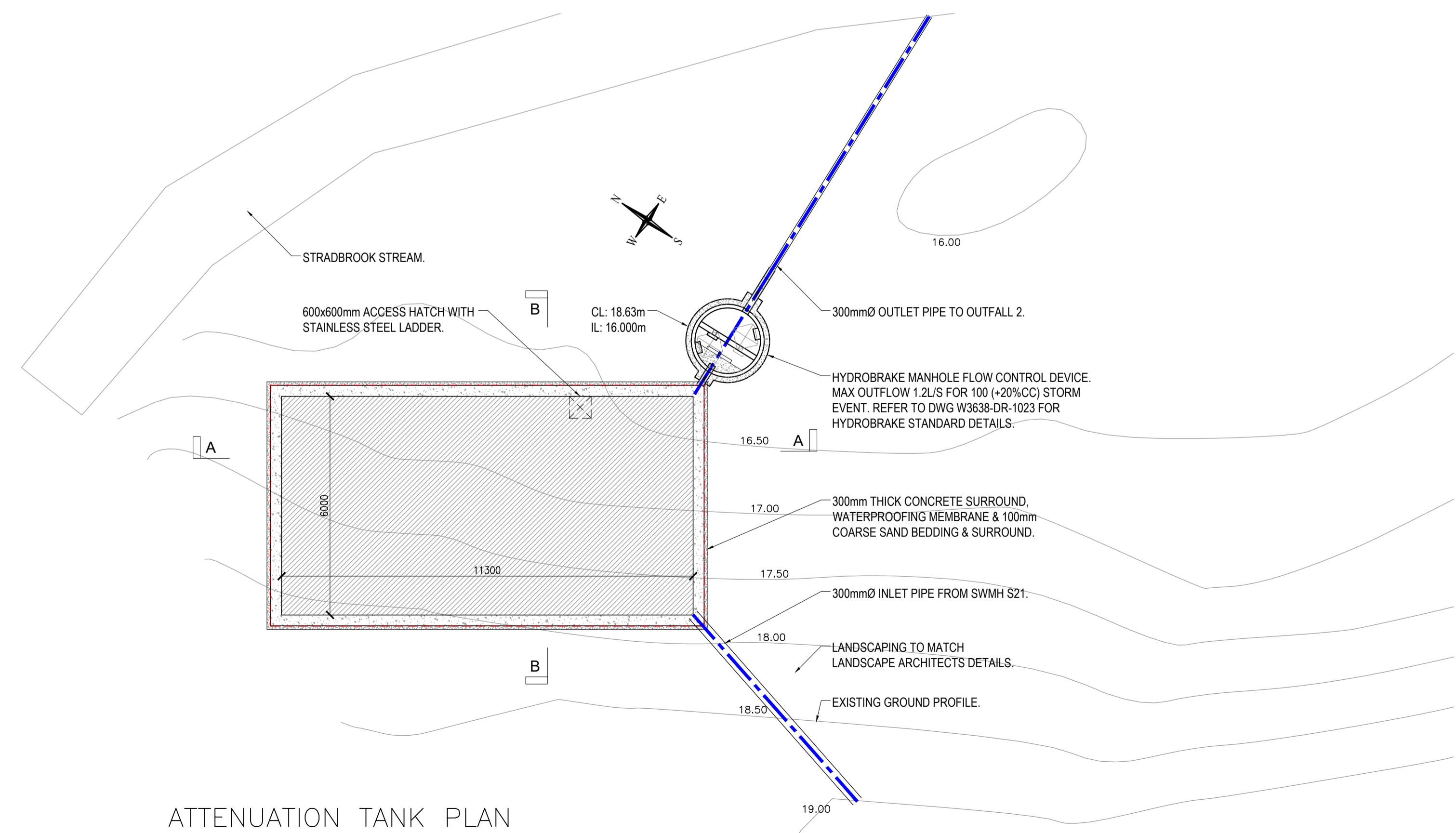
LEGEND:
 PROPOSED STORMWATER



SECTION A-A
 SCALE 1:100



SECTION B-B
 SCALE 1:100



ATTENUATION TANK PLAN
 SCALE 1:100

PO	25/10/22	ISSUE FOR PLANNING	LT	RT	AG
Rev	Date	Description	By	Chk	App

BYRNE LOOBY
 WWW.BYRNELOOBY.COM

IRELAND | UK | UAE | BAHRAIN | KSA

CLIENT
 GEDV MONKSTOWN OWNER LIMITED

PROJECT
 RESIDENTIAL DEVELOPMENT ON LANDS OF DALGUISE HOUSE

DRAWING TITLE
 LOWER CATCHMENT TANK DETAILS

STATUS
 FOR PLANNING

Date: 25/10/22	Scale: 1:100	Drawn: LT	Chk: RT	App: AG
Project No: W3683	Dwg. No: W3683-DR-1037	Rev:	PO	